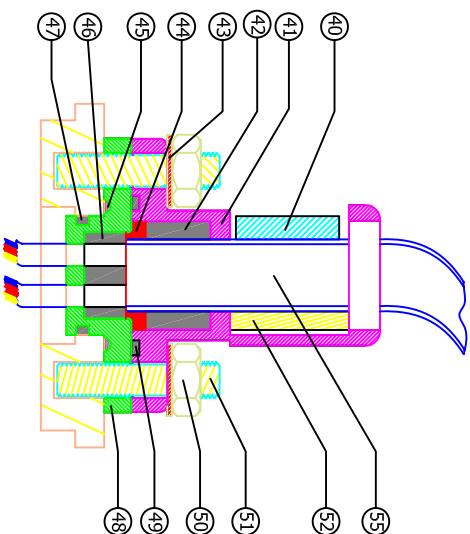
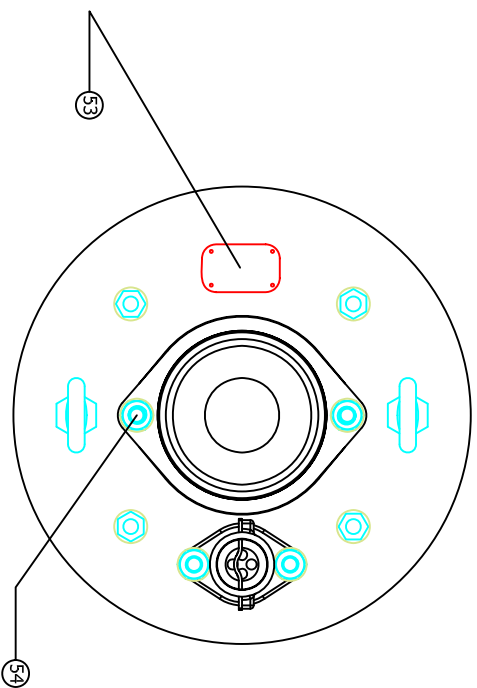


PART NO	DISCRPTION	QTY.
49	" O " RING	1
50	HEX NUT	2
51	STUD	2
52	CABLE SUPPORT	1
53	NAME PLATE	1
54	STUD	2
55	CABLE	1

PART NO	DISCRPTION	QTY.
1	HOSE OUTLET 4"	1
2	LIFTING HOOK	2
3	GASKET	1
4	HEX HEAD BOLT	4
5	WASHER	18
6	TOP BRACKET	1
7	CIRCLIP	1
8	" O " RING	1
9	UPPER BEARING	1
10	OUTER CASING	1
11	ROTOR COMPLETE	1
12	STATOR CASING	1
13	BEARING FLANGE	1
14	" O " RING	1
15	BEARING BRACKET	1
16	ALLEN BOLT	4
17	LONG STUD	4
18	HEX NUT	14
19	DIFFUSER	1
20	DIFFUSER HOLDER	1
21	STRAINER	1
22	CH. HEAD SCREW	2
23	EARTHING SCREW	1
24	" O " RING	1
25	" O " RING	1
26	STATOR COMPLETE	1
27	OIL BAG	1
28	WEAR PLATE	1
29	IMPELLER	1
30	KEY	1
31	IMPELLER LOCK WASHER	1
32	HEX NUT	1
33	LOWER BEARING	1
34	HEX BOLT	4
35	CIRCLIP	1
36	" O " RING	1
37	MEACHANICAL SEAL	2
38	CIRCLIP	1
39	PARAFINE OIL	1.3LIT.
40	CABLE CLAMP	1
41	CABLE GLAND TOP	1
42	CABLE GROMMET	1
43	WASHER	2
44	SPACER	1
45	" O " RING	1
46	CABLE LEAD GROMMET	1
47	" O " RING	1
48	CABLE GLAND BASE	1



		KPR'S PUMPS.	
DWG. NO. : AK-8350-2P-00		NAME	DATE
MATERIAL:		DRN.	AMUL
▽ ROUGH FINISH	SCALE	CHKD.	
▽▽ SMOOTH FINISH	NOT TO SCALE	APPD.	
▽▽▽ GROUND FINISH			
		TITLE : SECTION ASSLY. DRG. OF KPR'S SUBMERSIBLE PUMP	
		REV.	SIZE
		00	A3